



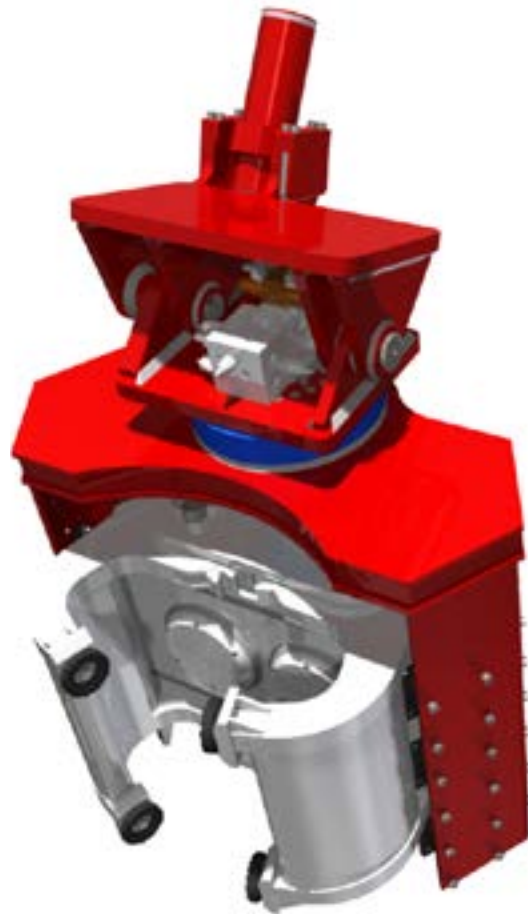
Pile Driving Equipment

www.oms.com.de

OVR SERIES

OVR SG

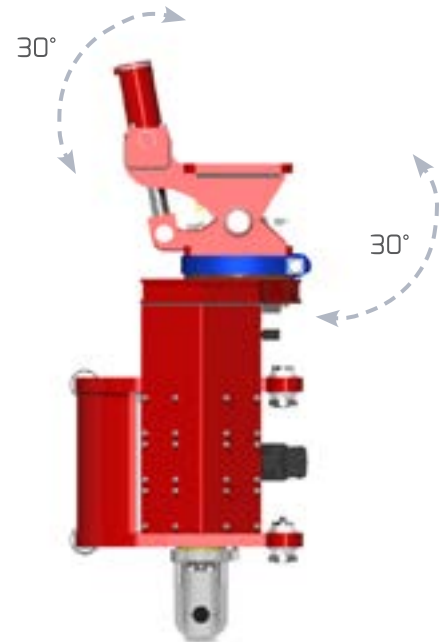
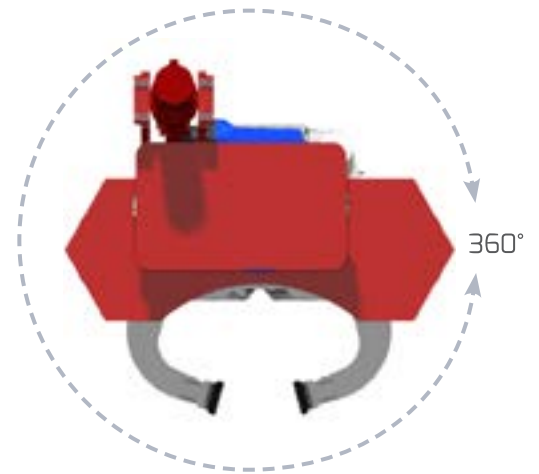
EXCAVATOR MOUNTED PILE DRIVER



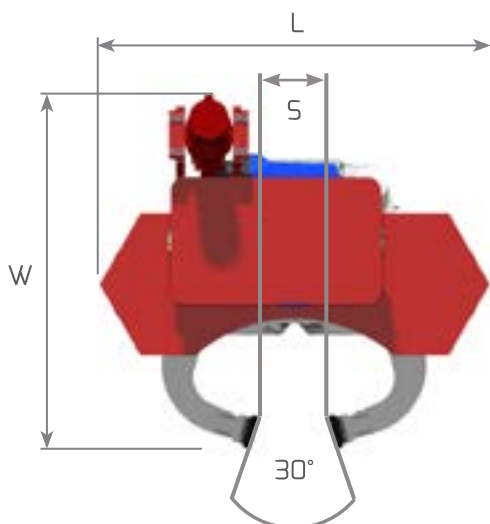
SHEET PILE DRIVERS

Sheet Pile Drivers • Technical Specifications

| Technical Data | OVR 60 SG | OVR 70 SG |
|-----------------------------|-----------|-----------|
| Eccentric Moment (kgm) | 6,3 | 7,4 |
| Centrifugal Force (kN) | 436 | 511 |
| Centrifugal Force (kN) Max. | 527 | 618 |
| Frequency (rpm) | 2500 | 2500 |
| Frequency (rpm) Max. | 2750 | 2750 |
| Oil Flow (l/min) | 200 | 225 |
| Oil Flow (l/min) Max. | 220 | 247 |
| Power (kW) | 117 | 131 |
| Power (kW) Max. | 128 | 144 |
| Amplitude (mm) | 9,2 | 10 |
| Pulling Force (kN) | 176 | 176 |
| Side Gripping Force (kN) | 500 | 500 |
| Bottom Clamping Force (kN) | 643 | 643 |



SHEET PILE DRIVERS



| Weight and Dimensions | OVR 60 SG | OVR 70 SG |
|---|----------------|-----------|
| Dynamic Weight Without Clamp (kg) | 1380 | 1460 |
| Total Weight Without Clamp (kg) | 2790 | 2870 |
| Length / L (mm) | 1380 | 1380 |
| Height / H (mm) | 2200 | 2200 |
| Width / W (mm) | 1196 | 1196 |
| Arm Stroke / S (mm) | 250 | 250 |
| Side Gripping Force (kN) | 500 | 500 |
| Bottom Clamping Force (kN) | 643 | 643 |
| Bottom Clamp Weight (kg) | 335 | 335 |
| Recommended Excavator Working Weight (ton) | 30 - 35 | 35 |